

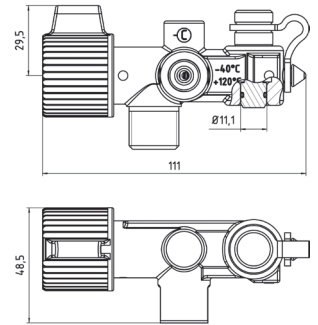
FILLING VALVES

ARGO NZ-NZ MS

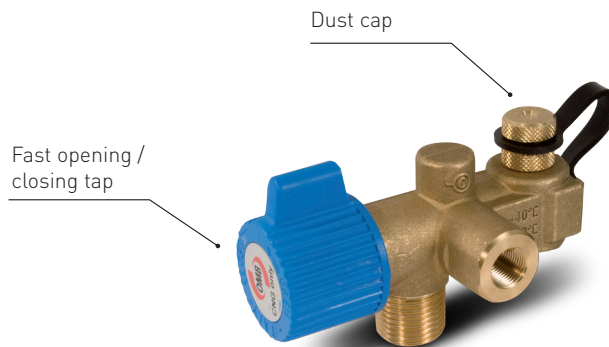


description

- Max working pressure: 260 bar
- Working temperature: - 40° + 120° C
- Filling charge valve type “New Zealand” according to AS/NZS 2739 : 1999
- Non-return valve
- Available with microswitch (3-pole faston connector)



product



certifications

ECE R110 - CERTIFIED

Filling connection	Outlet pipe connections	External bracket connection	Filling charge valve
NEW ZEALAND TYPE	M12X1	G"1/2	NZA000
	1/4"NPT	G"1/2	NZA002
NEW ZEALAND WITH MICRO SWITCH	M12X1	G"1/2	NZA MS0
	1/4"NPT	G"1/2	NZA MS2