

Contact Information

ADD: He Yi Industry Park, Wuxing Industrial Zone, Oubei Town,
Yongjia County, Wenzhou City, Zhejiang, China

Tel: +86-577-66967292

Fax: +86-577-66967192

Cell: +86-158-6772-9999

Web: <http://www.verspec.com>

E-mail: info@verspec.com

Skype ID: verspec



VPI 41 Series Pinch Valve

VPI Series Pinch Valve

Technical Specification

- Design & Manufacture: Factory Standard
- Face to face: Factory Standard
- End Flange: ASME B16.5 or drilling acc. to customer's requirements
- Inspection and Test: API 598
- Body Material: Cast Iron, Aluminum, WCB
- Sleeve Material: Natural Rubber, EPDM
- Operator: Hand wheel, Pneumatic actuator
 - Electrical actuator
- Size range: from DN40 to DN400
- Max Pressure: 10 Bar

Features

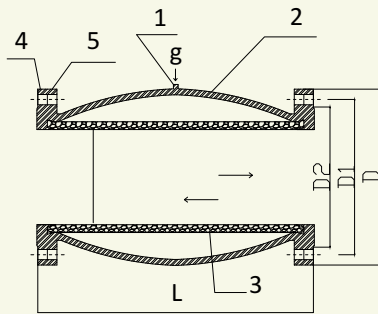
- 100% isolation
- Full bore
- Only rubber sleeve in contact with the medium
- Long lifetime
- Opening tags in the sleeve
- Face-to-face according to VerSpec Factory Standard
- No jamming or clogging
- Trouble-free operation
 - Long service intervals
 - Long lifetime
 - Reduced cost of ownership



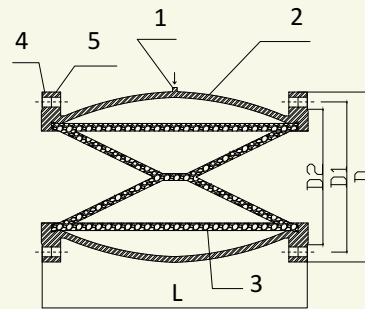
VerSpec Valve (Wenzhou) Co.,Ltd.

<http://www.verspec.com>

VPI 81 Series Inflatable Pinch Valves



Open State



Close State

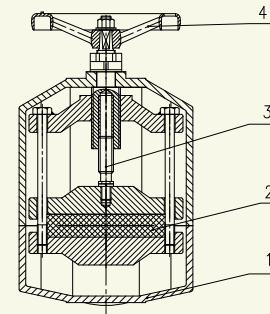
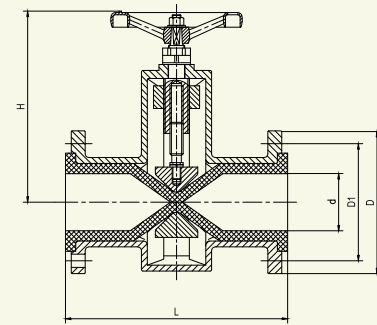
| Part No. | Part 1 | Part 2 | Part 3 | Part 4 | Part 5 |
|---------------|----------------|-------------|----------------------|-------------|-----------------|
| Part Name | Inlet Air Hole | Valve Body | Sleeve | Body Flange | Retainer Flange |
| Part Material | CI, AL, WCB | CI, AL, WCB | EPDM, Natural Rubber | CI, AL, WCB | CI, AL, WCB |

Dimension Data of PN10

Unit: (mm)

| Size | L | D | D1 | D2 | g | Z-Φ |
|------|-----|-----|-----|-----|-----|-------|
| 50 | 180 | 160 | 125 | 100 | 1/4 | 4-18 |
| 65 | 180 | 180 | 145 | 120 | 1/4 | 4-18 |
| 80 | 225 | 195 | 160 | 135 | 1/4 | 8-18 |
| 100 | 280 | 215 | 180 | 155 | 1/4 | 8-18 |
| 125 | 345 | 245 | 210 | 185 | 1/4 | 8-18 |
| 150 | 415 | 280 | 240 | 210 | 1/4 | 8-22 |
| 200 | 555 | 335 | 265 | 295 | 3/8 | 8-22 |
| 250 | 650 | 390 | 350 | 350 | 1/2 | 12-22 |
| 300 | 800 | 445 | 400 | 400 | 1/2 | 12-22 |

VPI 41 Series Pinch Valves



| Part No. | Part 1 | Part 2 | Part 3 | Part 4 |
|---------------|-------------|----------------------|--------|--------------------|
| Part Name | Body | Sleeve | Stem | Hand Wheel |
| Part Material | CI, AL, WCB | EPDM, Natural Rubber | CS, SS | CI, Malleable Iron |

Dimension Data of PN10

Unit: (mm)

| Size | L (CI/WCB) | L (AL) | D | D1 | d | H | Z-Φ |
|--------|------------|--------|-----|-----|-----|------|-------|
| DN 40 | 140 | 180 | 150 | 110 | 38 | 147 | 4-18 |
| DN 50 | 195 | 210 | 165 | 125 | 50 | 162 | 4-18 |
| DN 65 | 230 | 250 | 185 | 145 | 65 | 195 | 4-18 |
| DN 80 | 285 | 305 | 200 | 160 | 80 | 237 | 8-18 |
| DN 100 | 365 | 345 | 220 | 180 | 96 | 288 | 8-18 |
| DN 125 | 440 | 430 | 250 | 210 | 120 | 293 | 8-18 |
| DN 150 | 500 | 505 | 285 | 240 | 145 | 447 | 8-22 |
| DN 200 | 540 | 650 | 340 | 295 | 195 | 475 | 12-22 |
| DN 250 | 630 | 820 | 405 | 355 | 245 | 544 | 12-26 |
| DN 300 | 730 | 980 | 460 | 410 | 295 | 595 | 12-26 |
| DN350 | 890 | 1100 | 520 | 470 | 345 | 700 | 16-26 |
| DN 400 | 1090 | 1220 | 580 | 525 | 395 | 760 | 16-30 |
| DN 450 | 1120 | 1340 | 640 | 585 | 445 | 820 | 20-30 |
| DN500 | 1240 | 1450 | 715 | 650 | 495 | 870 | 20-33 |
| DN600 | 1450 | 1670 | 840 | 770 | 595 | 1000 | 20-36 |
| DN700 | 1650 | 1910 | 860 | 810 | 695 | 1100 | 24-36 |

***Valves can be operated by electrical or pneumatic actuator according to customer's requirements